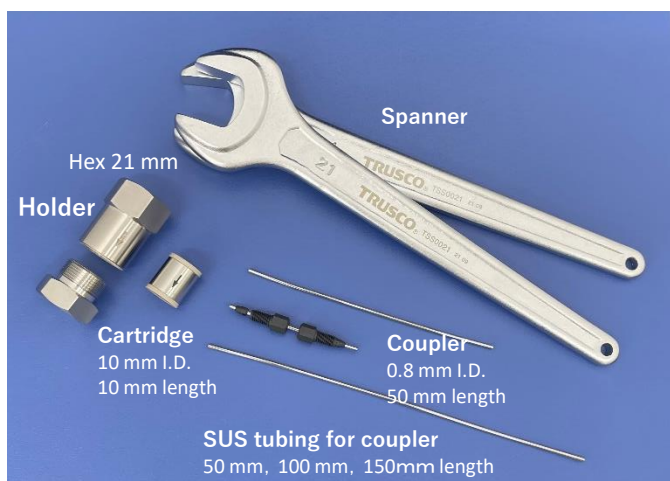


Universal High Performance Guard Cartridge Column for HPLC

SunGuard series

Can be used regardless of column manufacturer

SunGuard Prep for 10 mm to 20 mm I.D. preparative columns

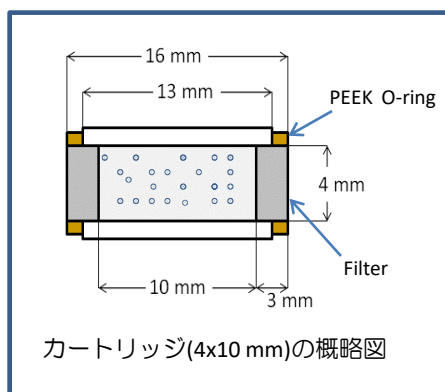


- *Simple structure
- *Low dead volume
- *The plate number is maintained even after the guard cartridge column is connected.
- *Can be used with 10 mm and 20 mm inner diameter preparative columns
- *Upper Pressure limit is 30 MPa.
- *Easy installation
- *Set a starter kit with a 21mm spanner
- *Select one coupler tubing in the starter kit from 50 mm, 100 mm, and 150 mm lengths.

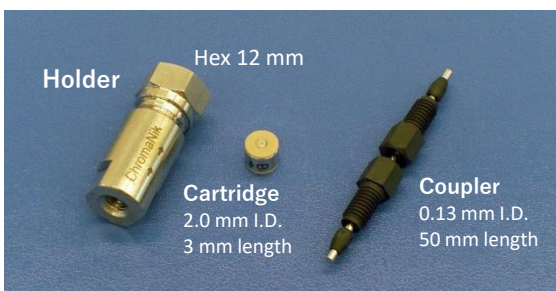
NEW

SunGuard for 4.6 mm I.D. analytical columns

- *Simple structure
- *Low dead volume
- *The plate number is maintained even after the guard cartridge column is connected.
- *Can be used with 3 μ m columns as well as 5 μ m columns.
- *Upper Pressure limit is 40 MPa.
- *Easy installation (put the cartridge in the holder, 1/4 turn with a wrench after tightening by hand)
- *SunArmor type has high alkali durability specification.



SunGuard Ultra for high-throughput columns or small-diameter columns



- *"RP" (reversed phase) is SunShell C18, and "S" is SunShell HILIC-S core-shell silica packed in a cartridge with an inner diameter of 2 mm and a length of 3 mm.
- *"RP" can be used for all reversed-phase columns, and "S" can be used for all hillic columns.
- *Low dead volume
- *Upper Pressure limit is 60 MPa or more.
- *Can be used for columns with an inner diameter of 2.1 mm to 4.6 mm

※ Use SunGuard Ultra for core-shell columns (SunShell) and high-speed analysis columns with small retention volumes.

*Ordering information is displayed on the back.

Ordering information



SunGuard Prep for 10 mm to 20 mm I.D. preparative columns

Description	Particle size	Catalog number
Sunniest, SunArmor, Sunrise prep guard cartridge column starter kit (without spanner) (holder, cartridge 10 x 10 mm, coupler [length 50mm] each one)	5 µm	□□371K1
Sunniest, SunArmor, Sunrise prep guard cartridge column starter kit (without spanner) (holder, cartridge 10 x 10 mm, coupler [length 100mm] each one)	5 µm	□□371K2
Sunniest, SunArmor, Sunrise prep guard cartridge column starter kit (without spanner) (holder, cartridge 10 x 10 mm, coupler [length 150mm] each one)	5 µm	□□371K3
Sunniest, SunArmor, Sunrise prep guard cartridge column starter kit (with spanner) (holder, cartridge 10 x 10 mm, coupler [length 50mm] each one. and two spanners)	5 µm	□□371K1S
Sunniest, SunArmor, Sunrise prep guard cartridge column starter kit (with spanner) (holder, cartridge 10 x 10 mm, coupler [length 100mm] each one. and two spanners)	5 µm	□□371K2S
Sunniest, SunArmor, Sunrise prep guard cartridge column starter kit (with spanner) (holder, cartridge 10 x 10 mm, coupler [length 150mm] each one. and two spanners)	5 µm	□□371K3S
Sunniest, SunArmor, Sunrise guard cartridge (2 pieces) 10 x 10 mm	5 µm	□□371C
SunGuard Prep holder 10 x 10 mm	---	HOL71C

Blanks (□□) in the model number contain the 2-digit code corresponding to packings below.

Sunniest C18	EB	Sunniest PhE (Phenyl)	EP	Sunniest Biphenyl	E8	SunArmor C18	HB
Sunniest C8	EC	Sunniest PFP	EF	Sunniest Silica	ES	SunArmor RP-AQUA	HR
Sunniest RP-AQUA	ER	Sunniest PFP&C18	EV	Sunrise C30 (C28)	SM	SunArmor NH2	HN

SunGuard for 4.6 mm I.D. analytical columns

Description	Particle size	Catalog number
Sunniest, Sunrise, SunArmor guard cartridge column (Holder, cartridge, each one) 4 x 10 mm	5 µm	□□3A1H
Sunniest, Sunrise, SunArmor cartridge for exchange (4 pieces) 4 x 10 mm	5 µm	□□3A1C
SunArmor guard cartridge column (Holder, cartridge, each one) 4 x 10 mm	5 µm	□□3A1H

Blanks (□□) in the model number contain the 2-digit code corresponding to packings below.

Sunniest C18	EB	Sunniest PhE (Phenyl)	EP	Sunniest Biphenyl	E8	SunArmor C18	HB
Sunniest C8	EC	Sunniest PFP	EF	Sunniest Silica	ES	SunArmor RP-AQUA	HR
Sunniest RP-AQUA	ER	Sunniest PFP&C18	EV	Sunrise C30 (C28)	SM	SunArmor NH2	HN

SunGuard Ultra for high-throughput columns or small-diameter columns

Description	Catalog number
SunShell Guard cartridge RP Starter Kit (Holder, Cartridge 2 x 3 mm, Coupler, each one)	CB32CK
SunShell RP cartridge for exchange (2 pieces) 2 x 3 mm	CB32CC
SunShell Guard cartridge S Starter Kit (Holder, Cartridge 2 x 3 mm, Coupler, each one)	CS32CK
SunShell S cartridge for exchange (2 pieces) 2 x 3 mm	CS32CC
SunGuard Ultra holder 2 x 3 mm	HOL2CC

*The holder is not included with the "guard cartridge for exchange". A holder is required for use.

*For SunGuard Prep/SunGuard Ultra, we recommend the starter kit, which comes with a complete set of connection parts, for the first time. SunGuard does not have a starter kit.

*Please note that the appearance and specifications are subject to change without notice.

Manufacturer



ChromaNik Technologies Inc.

6-3-1 Namiyoke, Minato-ku, Osaka, 552-0001 Japan

TEL: +81-6-6581-0885 FAX: +81-6-6581-0890

E-mail: info@chromanik.co.jp

URL: http://chromanik.co.jp